

SKALS

- we'll sort it out!

Weighing machine

Type: AM 322-2 / AM 422-2



Electronic and flexible weighing from 1,5 kg – 50 kg



Functions

- Automatic cycle with multiple belt speeds
- Adjustable belt speeds, optimizing precision / efficiency
- Automatic weight optimizer according to last portion
- Automatic calibration – compensating for dirt etc.
- Rubber coatings to minimize damages
- Prepared for connection of sewing and packing units
- Accumulation function for filling of big bags / containers
- Verifiable according to standards

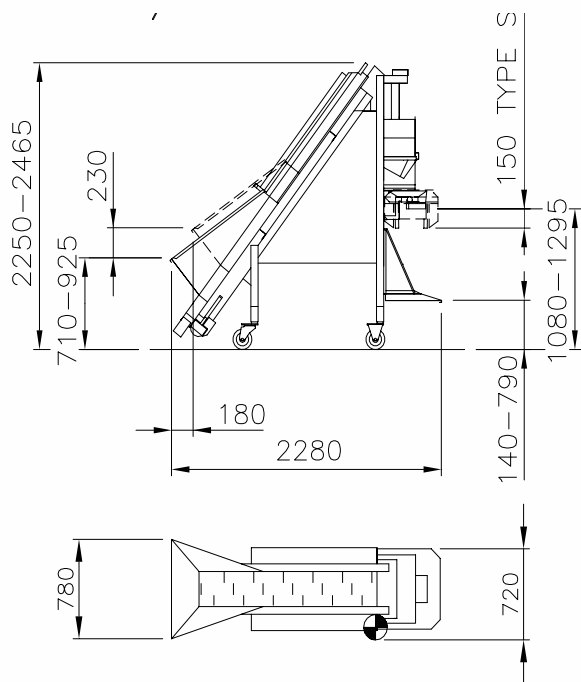
Variants

- AM 322-2 – without narrow dosing belt
- AM 422-2 – with narrow dosing belt
- 25 kg / 50 kg weighing hopper
- Stainless versions

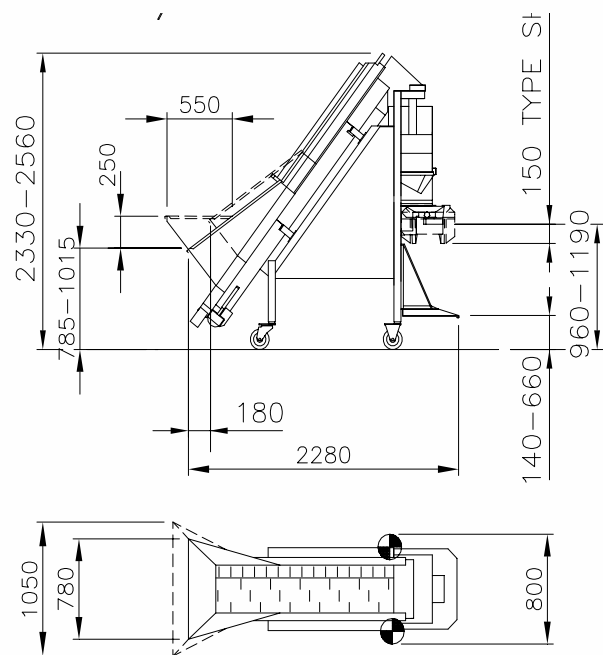


A/S Skals Maskinfabrik
Hovedgaden 56 • DK-8832 Skals
tlf. +45 87 25 62 00 • fax. +45 86 69 49 99
skals@skals.dk • www.skals.dk • CVR / VAT 17 21 80 18

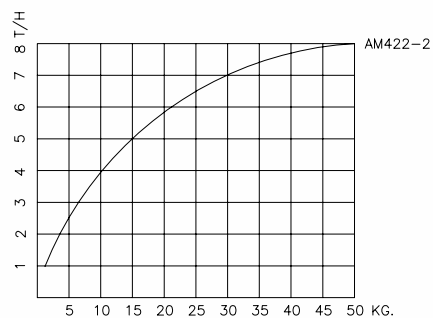
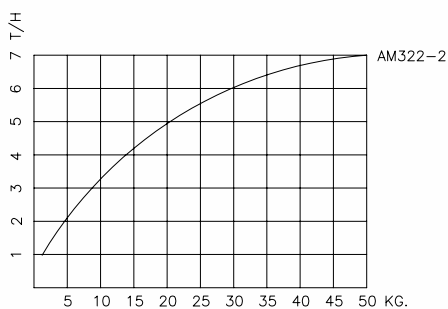




AM322



AM422



Type:	AM322-2/ 25	AM322-2/ 50	AM422-2/ 25	AM422-2/ 50
Kapacitet, Capacity, Stundenleistung	2 - 5,5 t/h.	2 - 7 t/h.	1 - 7 t/h.	1 - 8 t/h.
Afvejning, Weighing, Abwiegen	5 - 25 kg.	5 - 50 kg.	2 - 25 kg.	2 - 50 kg.
Nøjagtighed, Accuracy, Genauigkeit	+ - 100 g.	+ - 100 g.	+ - 50 g.	+ - 50 g.
Båndbredde, Belt width, Bandbreite	300 mm	300 mm	300 mm	300 mm
Doserbånd, Dosing belt, Dosierband			125 mm	125 mm
Båndlængde, Belt length, Bandlänge	2200 mm	2200 mm	2200 mm	2200 mm
Motor.	0,46 kW	0,46 kW	0,80 kW	0,80 kW
Vægt/ Weight/ Gewicht	310 kg.	315 kg.	370 kg.	375 kg.

	произ-ть	диап. взвеш.	погрешнос-ть	элеватор	ремень-дозатор	мотор
AM322-2	2 – 6 тн/час	5-25/50 кг	+/- 100 г	300x2200		0,46 кВт
AM422-2	1 – 7 тн/час	2-25/50 кг	+/- 50 г	300x2200	125x2200	0,8 кВт